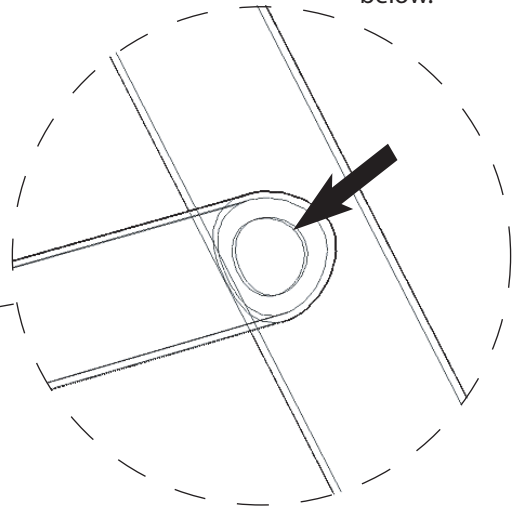
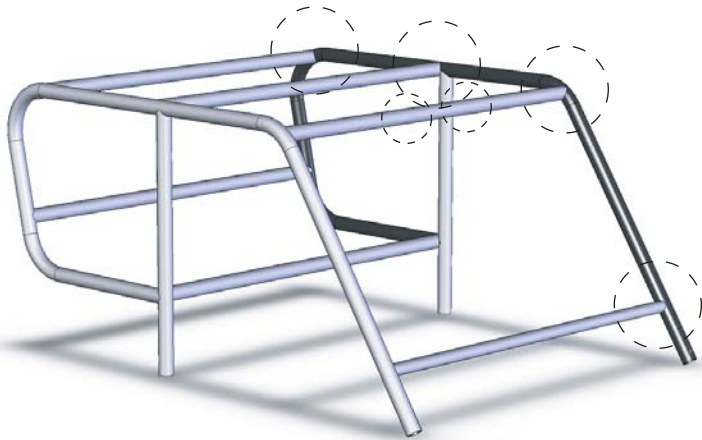




Congratulations on purchasing your new roll cage for the Yamaha Rhino. We have provided pre-drilled 1" holes in the driver side main tube (concealed inside the tube joints) to help conceal wiring when adding accessories to your cage. This feature is standard on all 2 seat and 4 seat style cages. The holes will also be included in the front overhead cross tube for wiring dome lights.

The hole is inside the tube joint as shown below.

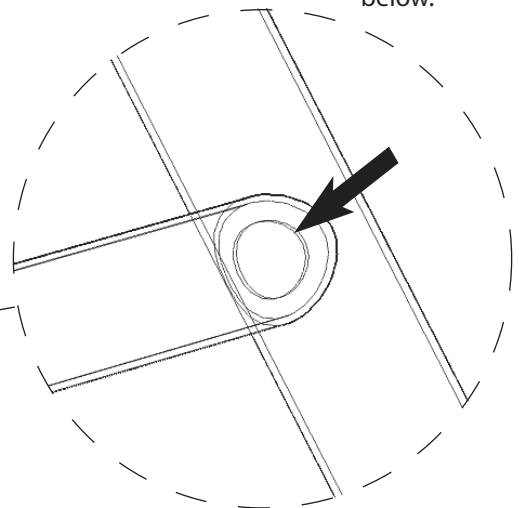
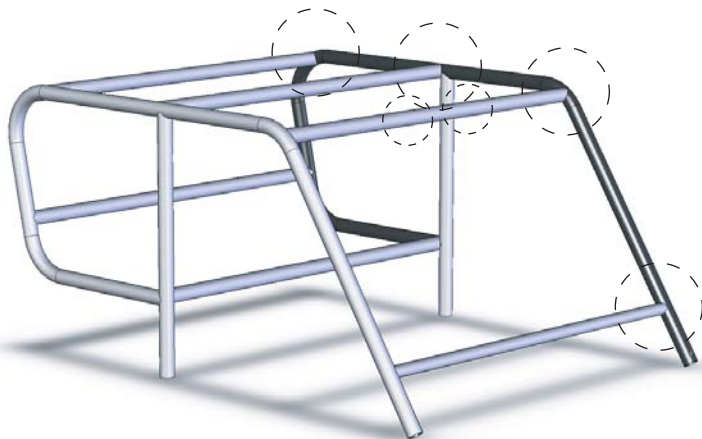


LONE STAR RACING - 1424 E. BROADWAY RD. PHOENIX, AZ 85040
1-800-4LS-RACE WWW.LSRACING.COM



Congratulations on purchasing your new roll cage for the Yamaha Rhino. We have provided pre-drilled 1" holes in the driver side main tube (concealed inside the tube joints) to help conceal wiring when adding accessories to your cage. This feature is standard on all 2 seat and 4 seat style cages. The holes will also be included in the front overhead cross tube for wiring dome lights.

The hole is inside the tube joint as shown below.



LONE STAR RACING - 1424 E. BROADWAY RD. PHOENIX, AZ 85040
1-800-4LS-RACE WWW.LSRACING.COM