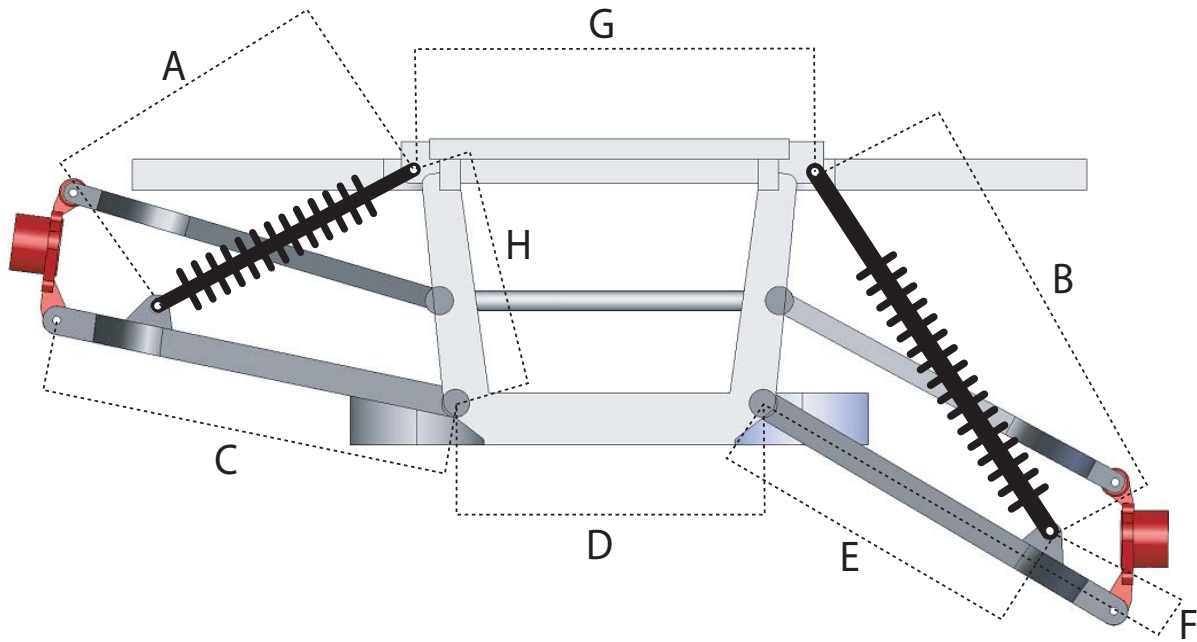


REAR SHOCK SPECS



Dimensions

Size of A-Arms:

- +3" wider per side
- +1" back (longer wheel base)

A	<u>11.40"</u>	Compressed length
B	<u>15.47"</u>	Extended length
C	<u>16.34"</u>	Lower a-arm length (between pivots)
D	<u>15.00"</u>	Distance between lower a-arm pivots
E	<u>7.48"</u>	Distance between a-arm pivot and shock mount
F	<u>1.25"</u>	Shock mount offset
G	<u>19.50"</u>	Distance between top shock mounts
H	<u>12.2"</u>	Distance between a-arm pivot and chassis shock mount
	<u>3.50"</u>	Max spring diameter
	<u>4.07"</u>	Usable shaft travel
	<u>2.12 to 1</u>	Static leverage ratio
	<u>8.65"</u>	Wheel travel
	<u>7.0"</u>	Ground clearance with 26" dia. tire

Shock Eye Details

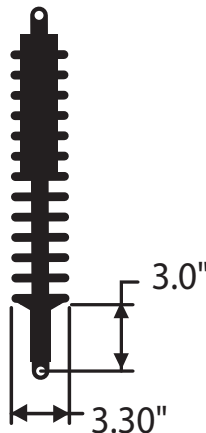
Upper

- Width= 1.57"
- Max Dia.= 1.50"
- Bolt Size= 12mm

Lower

- Width= 1.26"
- Max Dia.= 1.75"
- Bolt Size= 12mm

Minimum Axle Shaft Clearance on Bottom of Shock.



Weight of Vehicle: 1100 to 1500 lbs, not including occupants
Weight Distribution: 55% to Rear, 45% to Front