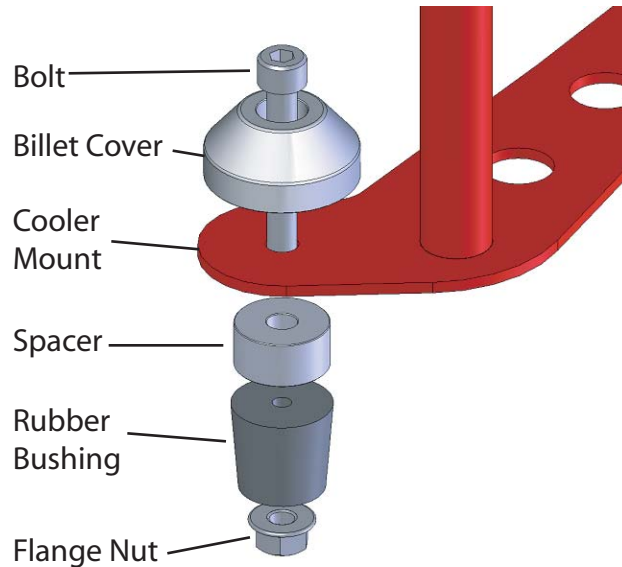




RZR Cooler Mount

Congratulations on purchasing your new Cooler Mount for the RZR. The mount fits into the middle of the bed, and uses the existing holes to attach. The Billet Lock Mounts included go together as shown here. Assemble all the hardware on the cage as shown in each position. Make sure the Flange nut is threaded on as close to the rubber bushing as possible. Then place the cage into the bed, so the rubber bushings drop into the holes in the bed. Then use a 6mm hex wrench to tighten the mounts. The rubber will expand locking itself to the bed.

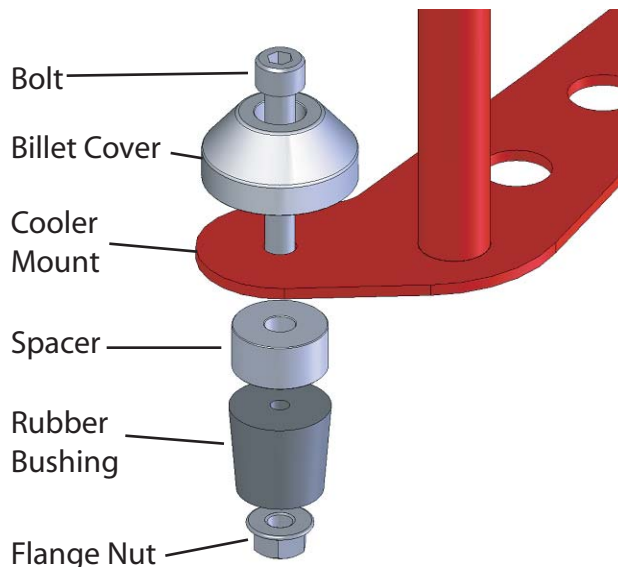


LONE STAR RACING - 1424 E. BROADWAY RD. PHOENIX, AZ 85040
1-800-4LS-RACE WWW.LSRACING.COM



RZR Cooler Mount

Congratulations on purchasing your new Cooler Mount for the RZR. The mount fits into the middle of the bed, and uses the existing holes to attach. The Billet Lock Mounts included go together as shown here. Assemble all the hardware on the cage as shown in each position. Make sure the Flange nut is threaded on as close to the rubber bushing as possible. Then place the cage into the bed, so the rubber bushings drop into the holes in the bed. Then use a 6mm hex wrench to tighten the mounts. The rubber will expand locking itself to the bed.



LONE STAR RACING - 1424 E. BROADWAY RD. PHOENIX, AZ 85040
1-800-4LS-RACE WWW.LSRACING.COM